

# HYDRAULIC CHLOR-SCALE®



## FOR CHLORINE AND SO<sub>2</sub> TON CONTAINERS

- + SAFELY TRACK CHLORINE USAGE AND TANK LEVELS
- + WARN OF DANGEROUS UNDER AND OVERFEED CONDITIONS
- + PREVENT SYSTEM FROM RUNNING EMPTY
- + 4-20MA REMOTE MONITORING REDUCES OPERATOR EXPOSURE TO CHLORINE



TODAY, AFTER MORE THAN 30 YEARS, THE HYDRAULIC CHLOR-SCALE® CONTINUES TO BE THE MOST DURABLE AND RELIABLE SYSTEM AVAILABLE FOR MONITORING TON CONTAINERS OF CHLORINE AND SO<sub>2</sub>. SCALE FRAMES ARE BUILT OF HEAVY-DUTY GRADE ASTM A36 STEEL AND THEN COATED WITH OUR 2-PART EPOXY FINISH. ZINC PLATED STEEL ROLLER TRUNNIONS SAFELY CRADLE THE CONTAINER AND ALLOW EASY ROTATION OF THE TANK FOR CORRECT VALVE POSITIONING.

THE UNIQUE PIVOTED DESIGN OF THE CHLOR-SCALE REQUIRES ONLY A SINGLE LOAD CELL, INCREASING SCALE RELIABILITY. THE DESIGN ALSO DISTRIBUTES THE MAJORITY OF IMPACT DURING TANK LOADING TO MASSIVE STEEL HINGES INSTEAD OF TO THE LOAD CELL, ADDING EVEN FURTHER TO THE DURABILITY OF THE SCALE.

CHEMICAL WEIGHT IS DISPLAYED ON OUR RUGGED CENTURY® DIAL INDICATOR. AVAILABLE IN FOUR DIFFERENT SIZES, THE DIAL MAKES IT EASY FOR OPERATORS TO SEE AT A GLANCE EXACTLY HOW MUCH CHEMICAL REMAINS AND HOW MUCH HAS BEEN USED. SINCE THE SYSTEM OPERATES HYDRAULICALLY, NO POWER SOURCE IS NEEDED. THIS MAKES THE CHLOR-SCALE IMMUNE TO POWER SURGES, LIGHTNING STRIKES AND RFI/EMI.

THE CENTURY DIAL CAN BE MOUNTED UP TO 200 FT. AWAY FROM THE SCALE FOR REMOTE MONITORING OR, THE SATELLITE® XT 4-20MA TRANSMITTER CAN BE ADDED TO THE SYSTEM ALLOWING REAL TIME CHEMICAL STATUS TO BE VIEWED FROM YOUR PLC OR COMPUTER. OTHER OPTIONS INCLUDE LOW-LEVEL ALARM RELAYS, TANK RESTRAINING STRAPS OR CHAINS, AND CHART RECORDERS. CHLOR-SCALE MODELS ARE AVAILABLE FOR MONITORING UP TO SIX MANIFOLDED TON CONTAINERS.



CENTURY® HYDRAULIC SYSTEM REQUIRES NO POWER! IT IS VIRTUALLY MAINTENANCE FREE AND IS IMMUNE TO POWER FAILURE, LIGHTNING STRIKES AND RFI/EMI.



WWW.FORCEFLOW.COM

# HYDRAULIC CHLOR-SCALE®

## MODELS AND ORDERING INFORMATION

SCALES COME COMPLETE WITH 12 FEET (3.6M) OF HOSE AND QUICK DISCONNECT FITTINGS. SPECIFY SPECIAL HOSE LENGTHS UP TO 25 FEET (7.6M). FOR LENGTHS OVER 25 FEET(7.6M) OR FOR INFORMATION ON RECORDERS, TRANSMITTERS AND ALARMS, PLEASE CONSULT FACTORY.

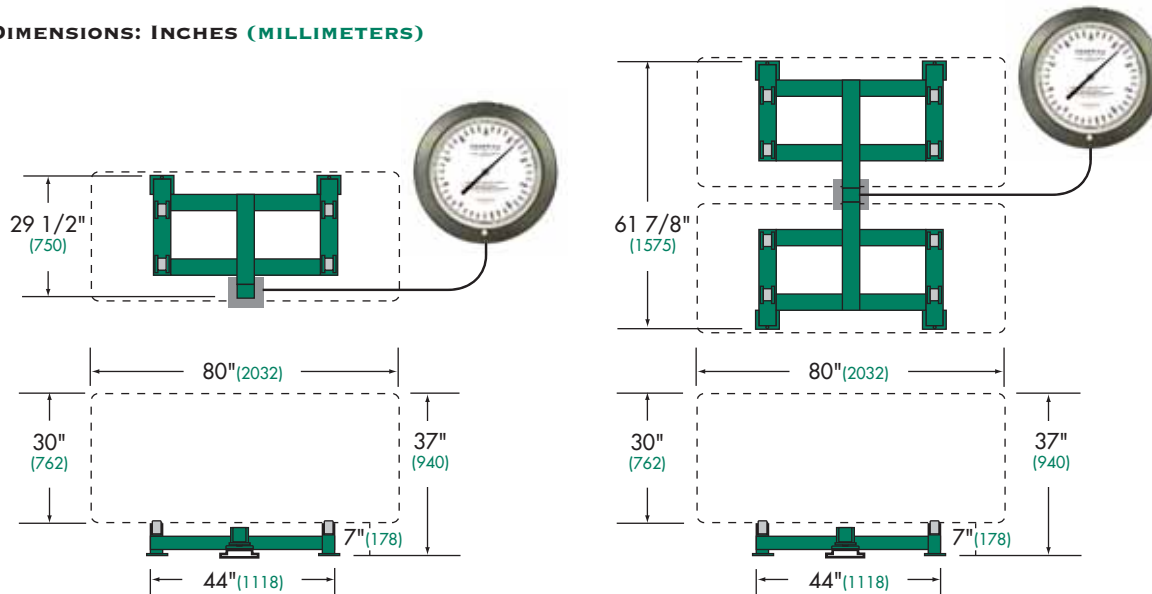
MODEL	CONTAINERS	CAPACITY	DIAL DIAMETER	SHIPPING WEIGHT
6D40A (6D20K)	1	4000 LBS (2000KG)	6 INCHES (152MM)	220 LBS (100KG)
8D40A (8D20K)	1	4000 LBS (2000KG)	8 INCHES (203MM)	220 LBS (100KG)
12D40A (12D20K)	1	4000 LBS (2000KG)	12 INCHES (305MM)	220 LBS (100KG)
18D40A (18D20K)	1	4000 LBS (2000KG)	18 INCHES (457MM)	220 LBS (100KG)
6D80 (6D40K)	2	8000 LBS (4000KG)	6 INCHES (152MM)	440 LBS (200KG)
8D80 (8D40K)	2	8000 LBS (4000KG)	8 INCHES (203MM)	440 LBS (200KG)
12D80 (12D40K)	2	8000 LBS (4000KG)	12 INCHES (305MM)	440 LBS (200KG)
18D80 (18D40K)	2	8000 LBS (4000KG)	18 INCHES (457MM)	440 LBS (200KG)

CHLOR-SCALES ACCOMMODATE MOST INTERNATIONAL TANK SIZES SUCH AS 864KG, 908KG, 920KG AND 1000KG.

THE STANDARD DUAL TANK CHLOR-SCALE ACCOMMODATES TANK DIAMETERS UP TO 860MM (INCLUDING ROLLER BANDS). FOR LARGER TANK DIAMETERS, SPECIFY -X AFTER THE STANDARD MODEL NUMBER, FOR EXAMPLE: 12D40K-X.

**SPECIFYING GUIDELINES:** A) THE DUAL TANK SCALE IS DESIGNED FOR SYSTEMS THAT HAVE TWO TANKS MANIFOLDED TOGETHER FEEDING SIMULTANEOUSLY. WHEN FEEDING FROM ONE TANK AT A TIME WE RECOMMEND USING TWO SINGLE TANK SCALES INSTEAD OF ONE DUAL. B) FOR SYSTEMS FEEDING LESS THAN 20 LBS (10 KG) PER DAY WE RECOMMEND OUR ELECTRONIC CHLOR-SCALE, BULLETIN 401. C) MAXIMUM OVERHEAD HOIST SPEED: 18 FT/MIN. (6M/MIN.)

### DIMENSIONS: INCHES (MILLIMETERS)



## TYPICAL SPECIFICATION FOR HYDRAULIC CHLORINE AND SO<sub>2</sub> TON CONTAINER SCALE

A QUANTITY OF \_\_\_\_\_ CHLORINE/SO<sub>2</sub> SCALES SHALL BE PROVIDED AND SHALL BE OF THE HYDRAULIC LOAD CELL TYPE. SCALE FRAME SHALL BE EPOXY FINISHED AND SIZED TO ACCEPT \_\_\_\_\_ (1 TO 6) 2000 LB. CONTAINERS. SCALE SHALL BE MADE OF ASTM GRADE A36 STRUCTURAL STEEL AND HAVE HEAVY-DUTY BRONZE BUSHED BEARING TRUNNIONS INSTALLED FOR EACH CONTAINER TO ALLOW EASY CONTAINER ROTATION. SCALE SIZE SHALL BE WITHIN THE DIMENSIONS OF THE CONTAINER(S) IT SUPPORTS.

LOAD CELL SHALL BE OF THE TEMPERATURE STABLE, ROLLING DIAPHRAGM TYPE. LOAD PLATE SHALL BE ABLE TO TILT 4 DEGREES WITHOUT AFFECTING ACCURACY TO ALLOW FOR EASY INSTALLATION. FLEXIBLE HOSE SHALL LEAD FROM THE LOAD CELL TO ALLOW EASY REMOTE INSTALLATION OF THE DIAL AND SHALL BE \_\_\_\_\_ FEET IN LENGTH (12 FEET STANDARD). LOAD CELL SYSTEM SHALL REQUIRE NO ELECTRIC POWER AND SHALL BE IMMUNE TO ALL RFI/EMI, POWER FAILURES AND LIGHTNING STRIKES.

DIAL DIAMETER SHALL BE \_\_\_\_\_ INCHES AND READ ZERO TO \_\_\_\_\_ LBS. WITH PROVISION FOR TARE ADJUSTMENT. DIAL SHALL BE TEMPERATURE STABLE WITH DAMPER INSTALLED TO PREVENT SHOCK DAMAGE. SCALE ACCURACY SHALL BE BETTER THAN 1/2 OF 1%. SCALE SHALL CARRY A MINIMUM 5 YEAR WARRANTY. SCALE SHALL BE CHLOR-SCALE MODEL \_\_\_\_\_ AS MANUFACTURED BY FORCE FLOW, 1150-D BURNETT AVENUE, CONCORD, CA 94520 USA WWW.FORCEFLOW.COM .

### OPTIONS & ACCESSORIES

- **4-20 MA TRANSMITTER** (MODEL MA-420) - LOOP POWERED WEIGHT TRANSMITTER (REQUIRES 12-45 VOLTS DC POWER)
- **LOW-LEVEL ALARM** (MODEL RS-5) - ADJUSTABLE ALARM WITH 5 AMP MANUAL RESET RELAY
- **HOLD-DOWN CHAINS W/ BINDERS** (MODEL HD-4000) POLYESTER HOLD-DOWN STRAPS WITH RATCHET BUCKLE (MODEL PS-4000)
- **CIRCULAR CHART RECORDERS** - CHOOSE 1 OR 7 DAY, ELECTRIC OR WIND-UP
- **ADDITIONAL HYDRAULIC HOSE AND FITTINGS** DIAL INDICATOR CAN BE REMOTE MOUNTED UP TO 200'(60M) FROM SCALE LOCATION
- **LOCKING TARE ADJUST KNOB** - PREVENTS TAMPERING

